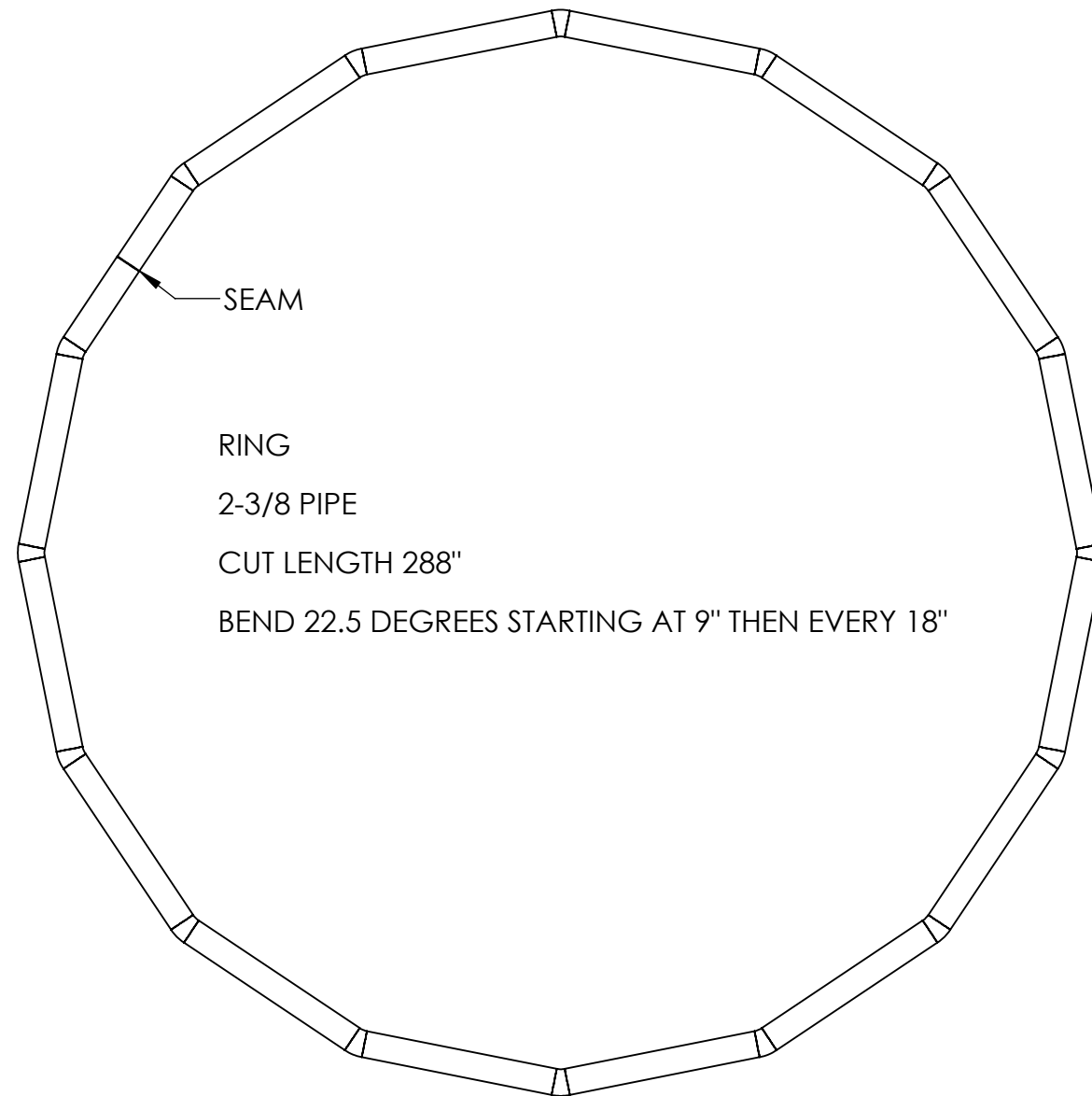
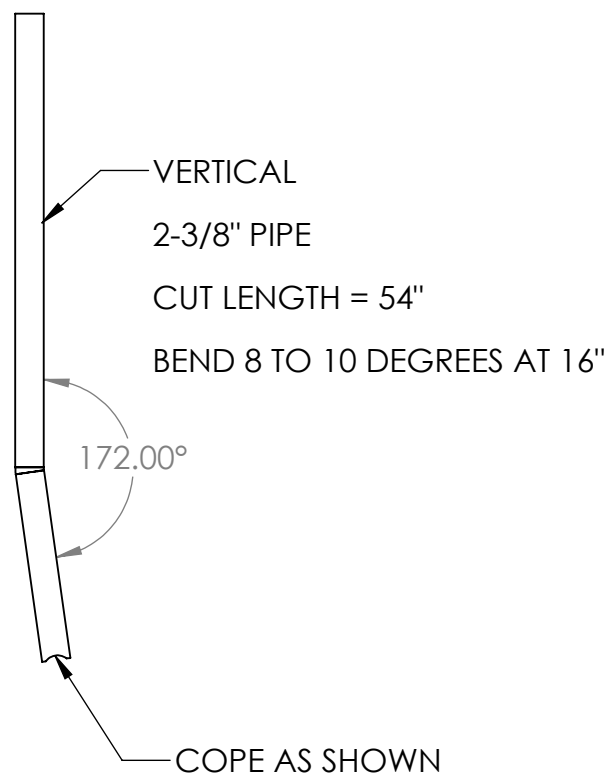
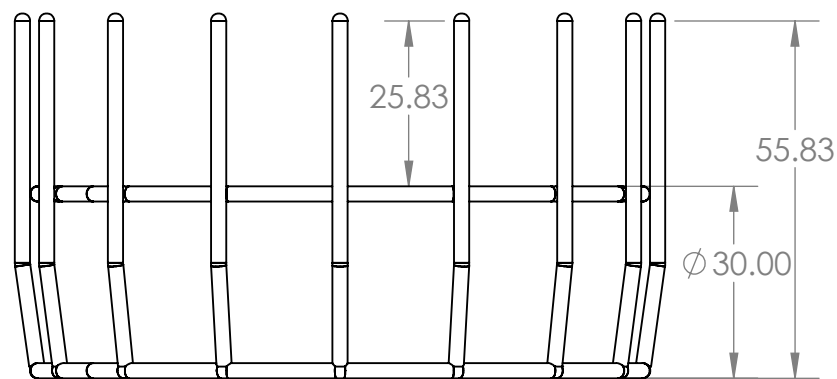
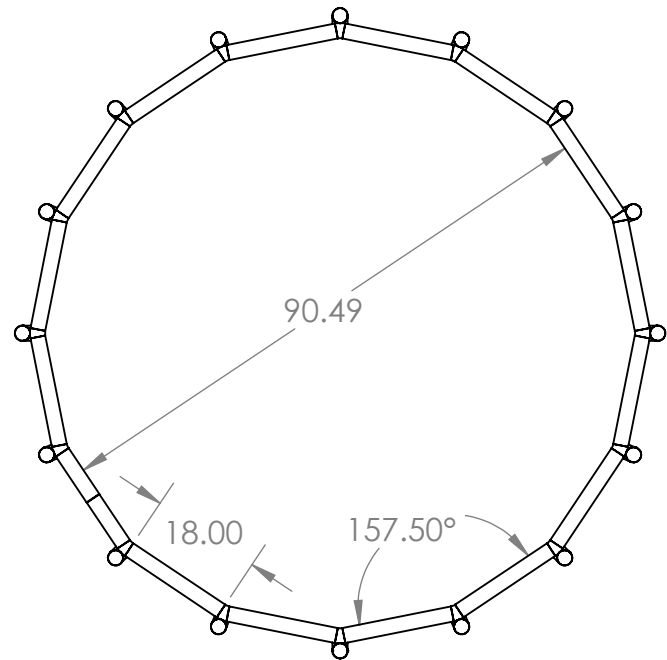
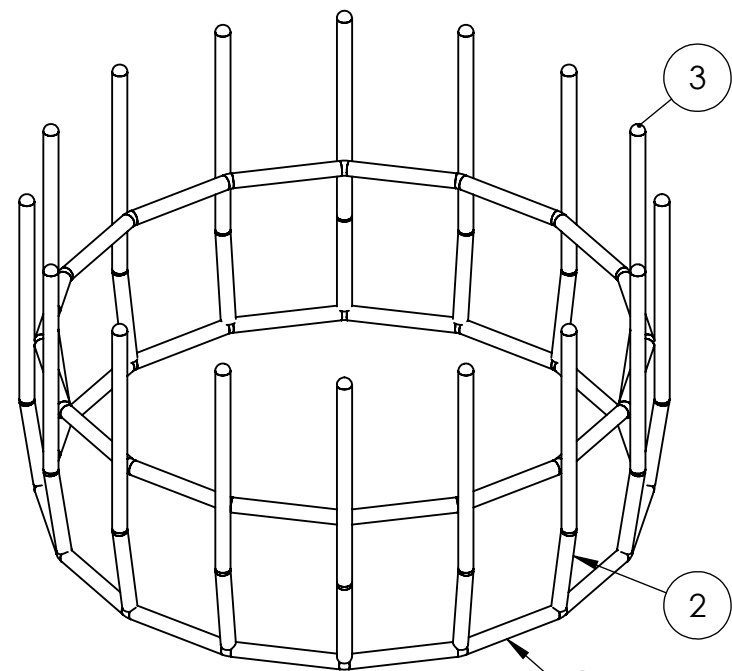


ITEM NO.	PART NUMBER	DESCRIPTION	LENGTH	DETAILS	QTY.
1	MP66428_RING	2-3/8" PIPE	24FT (288")	BEND AS SHOWN	2
2	MP66428_VERTICAL	2-3/8" PIPE	4'-6" (54")	BEND AS SHOWN	16
3	MP66428_CAP	RSPC2 (2.375" O.D. PIPE CAP)			16



**PROPRIETARY AND CONFIDENTIAL**  
 THE INFORMATION CONTAINED IN THIS DRAWING IS THE SOLE PROPERTY OF MACKSTEEL WAREHOUSE INC. ANY REPRODUCTION IN PART OR AS A WHOLE WITHOUT THE WRITTEN PERMISSION OF MACKSTEEL WAREHOUSE INC IS PROHIBITED.

UNLESS OTHERWISE SPECIFIED:		NAME	DATE
DIMENSIONS ARE IN INCHES		DRAWN	MS 11-26-13
TOLERANCES:		CHECKED	
FRACTIONAL ±		ENG APPR.	
ANGULAR: MACH ± BEND ±		MFG APPR.	
TWO PLACE DECIMAL ±		Q.A.	
THREE PLACE DECIMAL ±		COMMENTS:	
INTERPRET GEOMETRIC TOLERANCING PER:		TITLE: <b>SANDLAND STYLE HORSE FEEDER</b>	
MATERIAL			
FINISH		SIZE <b>B</b>	DWG. NO. <b>MP66428</b>
NEXT ASSY	USED ON	REV	
APPLICATION		SCALE: 1:32 WEIGHT: SHEET 1 OF 1	
DO NOT SCALE DRAWING			