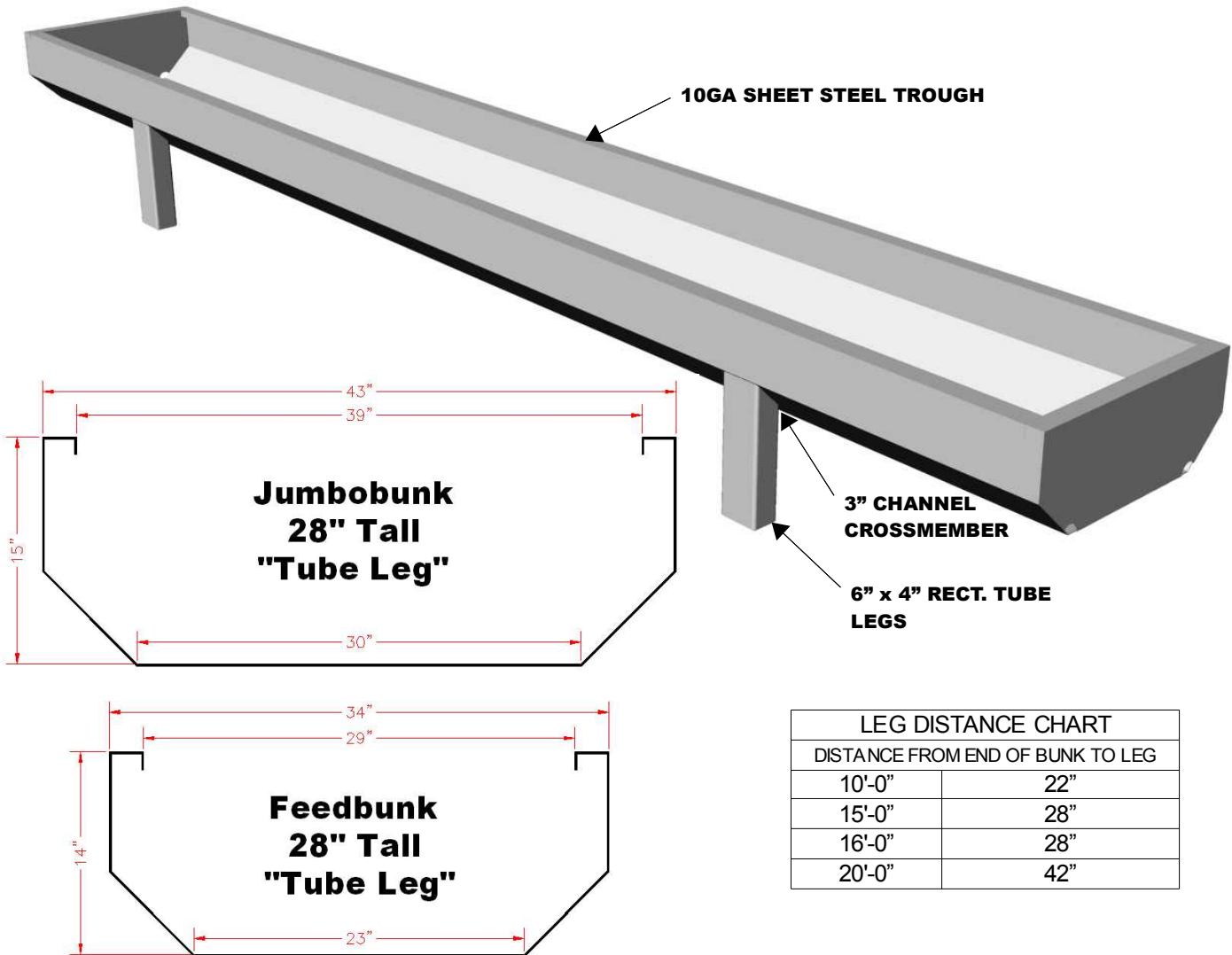


FEEDBUNK "LIP IN" W/ TUBE LEGS



LEG DISTANCE CHART	
DISTANCE FROM END OF BUNK TO LEG	
10'-0"	22"
15'-0"	28"
16'-0"	28"
20'-0"	42"

FEEDBUNK "LIP IN" SPECIFICATIONS

MATERIALS

TROUGH: 10GA
 LEGS 6" x 4" RECT. TUBE
 LEGBRACE 3" STANDARD CHANNEL

FEATURES

WELDED CONSTRUCTION
 "NO LOSS" LIP IN DESIGN
 DRAIN HOLES IN ENDCAPS

OUR TUBE LEG BUNKS ARE CONSTRUCTED WITH HEAVY 10GA SHEET AND 6" X 4" RECTANGULAR TUBE LEGS. THE OUTSIDES OF THE LEGS ARE FLUSH WITH THE OUTSIDE OF THE BUNK, PROVIDING A SMOOTH SURFACE TO DRIVE ALONG.

ANY LENGTH IS AVAILABLE, 20FTERS ARE STANDARD.