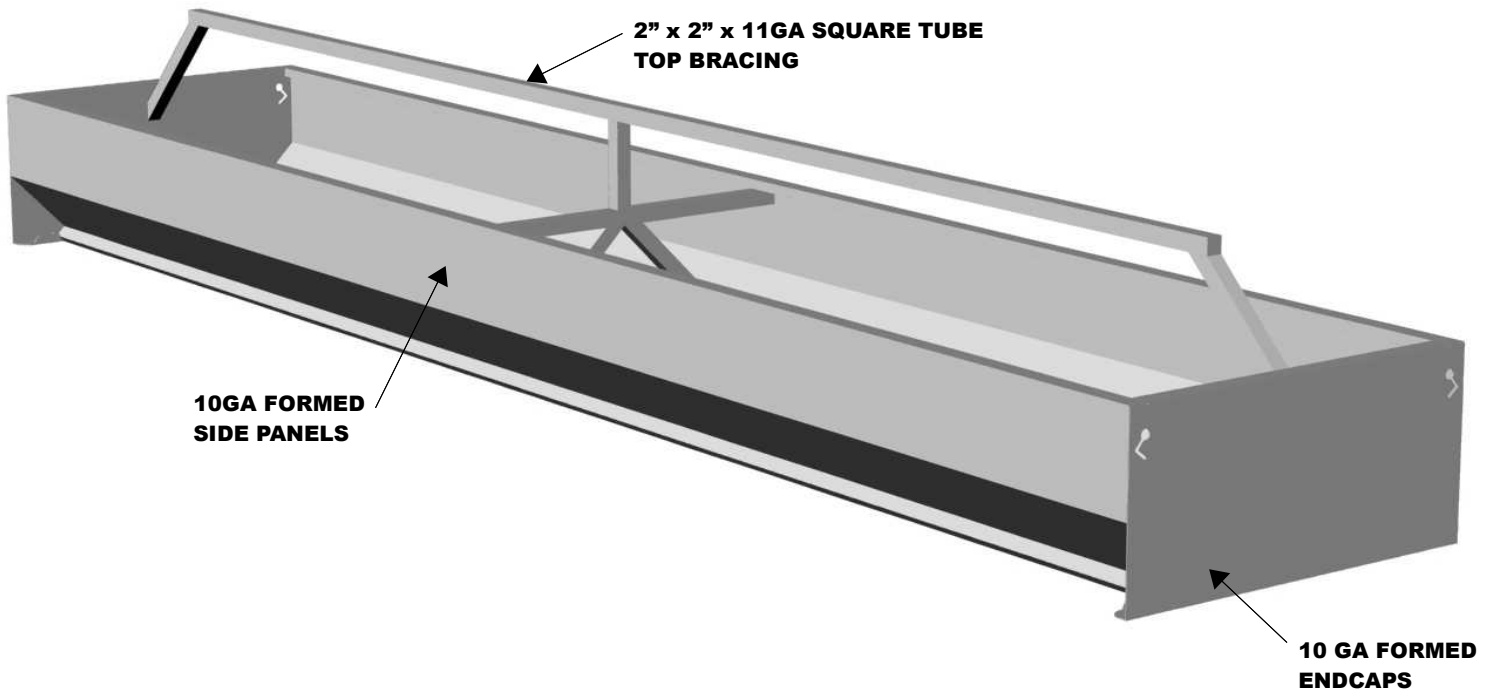


# BOTTOMLESS FEEDBUNK



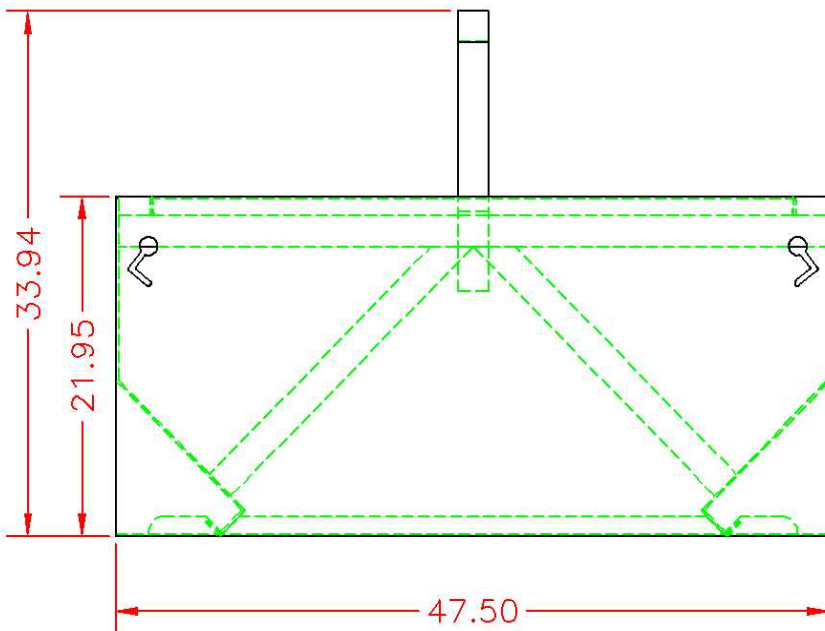
## BOTTOMLESS FEEDBUNK SPECIFICATIONS

### MATERIALS

ENDCAPS	10GA
SIDES	10GA
ALL BRACING	2x2x11GA SQUARE TUBE

### FEATURES

- WELDED STEEL CONSTRUCTION
- ENDCAPS W/ CHAINLOOPS
- STACKABLE DESIGN



MACKSTEEL BOTTOMLESS BUNKS ARE CONSTRUCTED WITH HEAVY 10GA FORMED SHEET AND 2x2 SQUARE TUBE BRACING.

THE BOTTOMLESS ARE STACKABLE AND FEATURE CHAIN LOOPS ON THE ENDCAPS OF THE BUNKS ALLOWING THEM TO BE CHAINED TOGETHER.

STANDARD LENGTH: 20FT