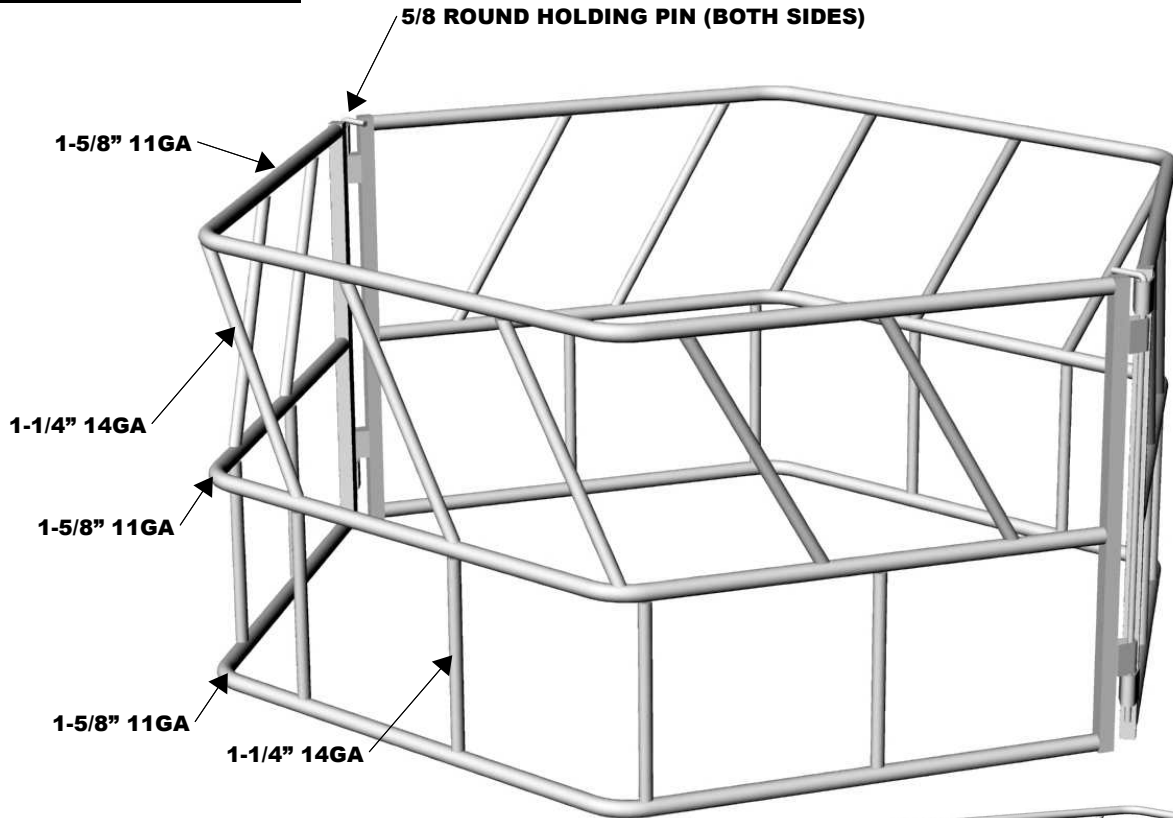


RING BALE FEEDER



RING BALE FEEDER SPECIFICATIONS

MATERIALS

MAIN ARCHES: 1-5/8" 11GA ROUND TUBE
 DIAGONALS: 1-1/4" 14GA ROUND TUBE
 VERTICALS: 1-1/4" 14GA ROUND TUBE
 HOLDING PIN: 5/8" SOLID ROUND

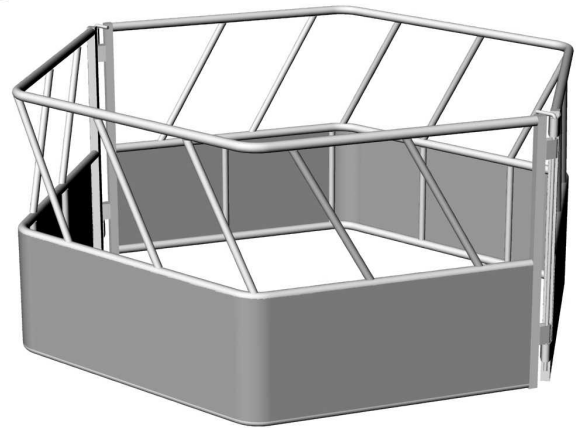
HAYSAVER (OPTIONAL) 14GA STEEL SHEET

DIMENSIONS

HEIGHT: 45"
 INSIDE DIAMETER: 85" (APPROX)

THE RING FEEDER SPLITS INTO 2 PCS ONCE THE HOLDING PINS ARE REMOVED. BELOW ARE THE DIMENSIONS OF THE FEEDER ASSEMBLED AND DISASSEMBLED THE DIAGRAM TO THE RIGHT SHOWS THE DIMENSIONS OF THE FEEDER ASSEMBLED.

ASSEMBLED: 87" X 102" (SEE BOTTOM DIAGRAM)
 DISSASSEMBLED: 45" X 102"



RING BALE FEEDER WITH OPTIONAL HAYSAVER

