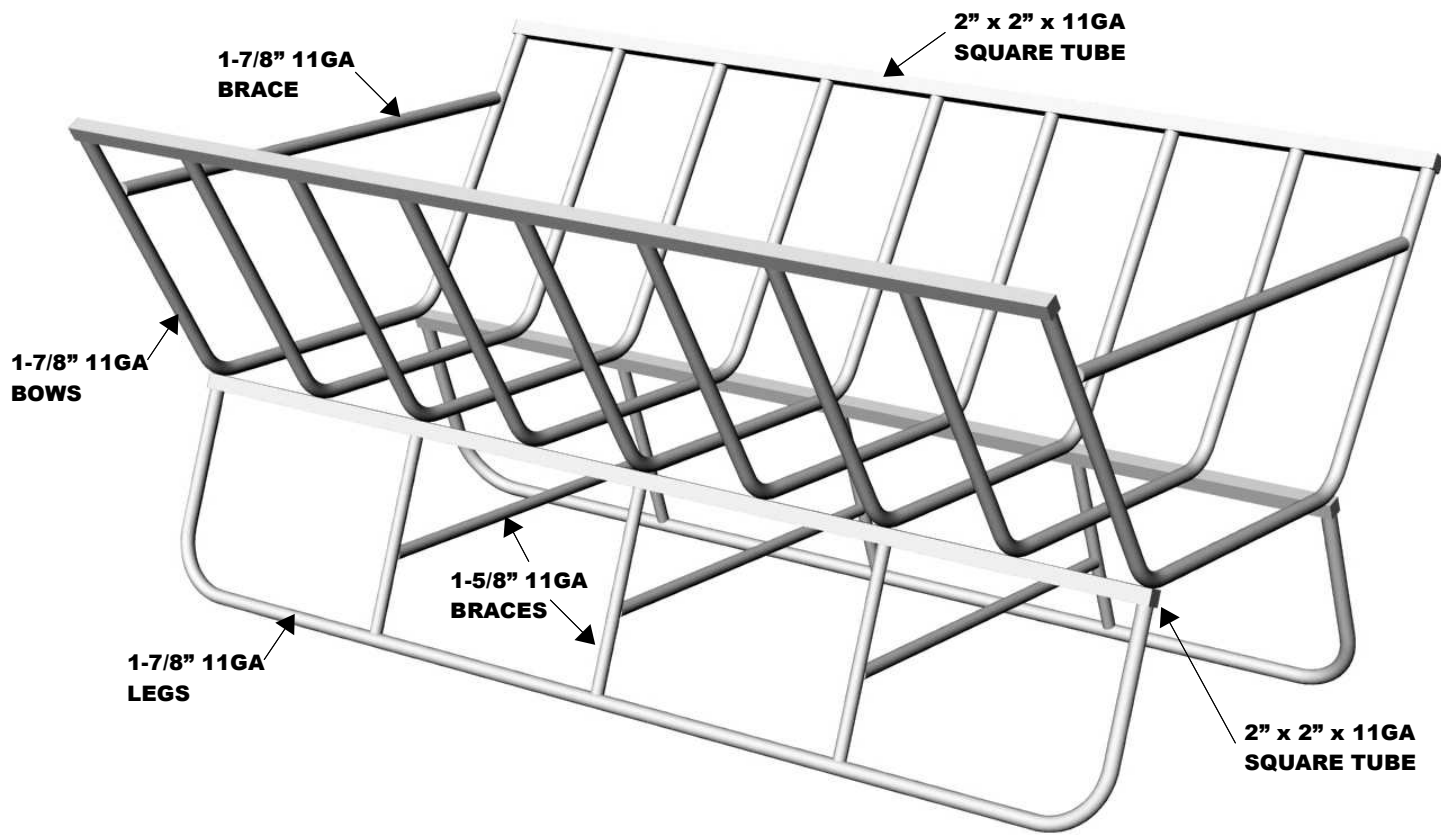


DOUBLE BALE FEEDER



SINGLE BALE FEEDER SPECIFICATIONS

FEEDER DIMENSIONS

LENGTH	144"
WIDTH	87"
HEIGHT	62"

PANEL MATERIALS

LINEAR TUBES	2X2X11GA SQUARE TUBE	UPPER BOW BRACES	1-7/8" 11GA ROUND TUBE
BOWS	1-7/8" 11GA ROUND TUBE	LOWER END BRACES	1-5/8" 11GA ROUND TUBE
LEGS	1-7/8" 11GA ROUND TUBE	LEG CENTER BRACES	1-5/8" 11GA ROUND TUBE

