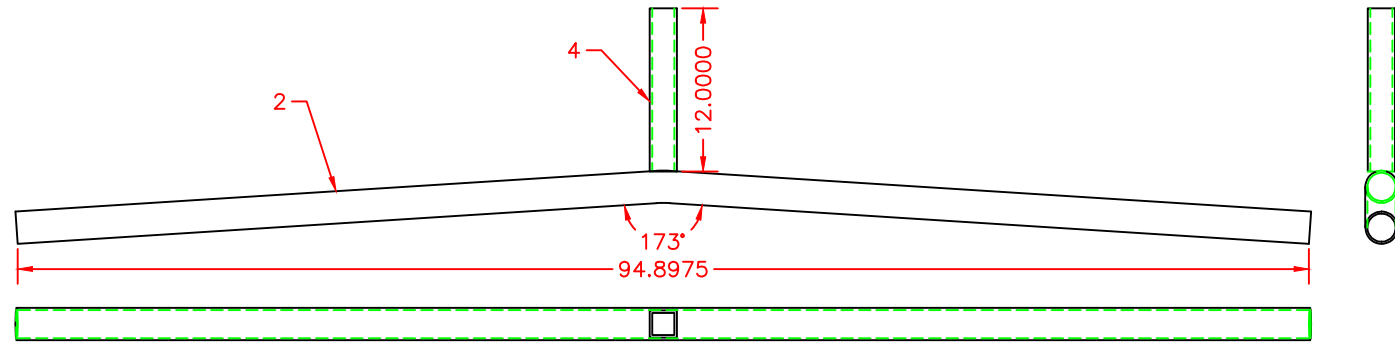
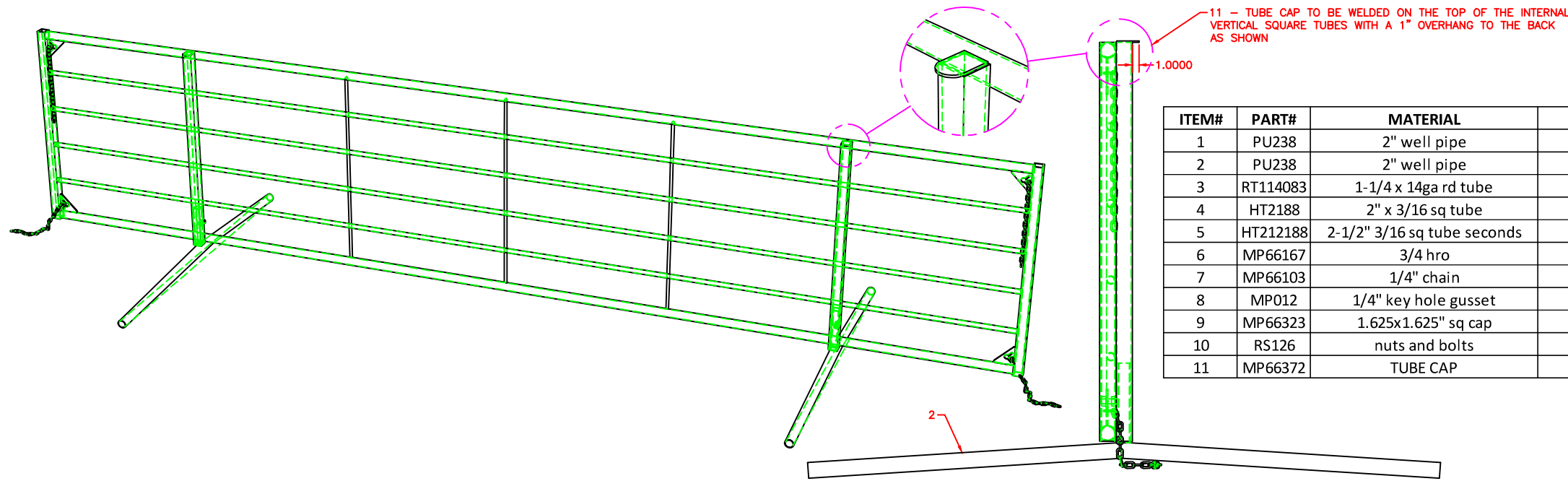
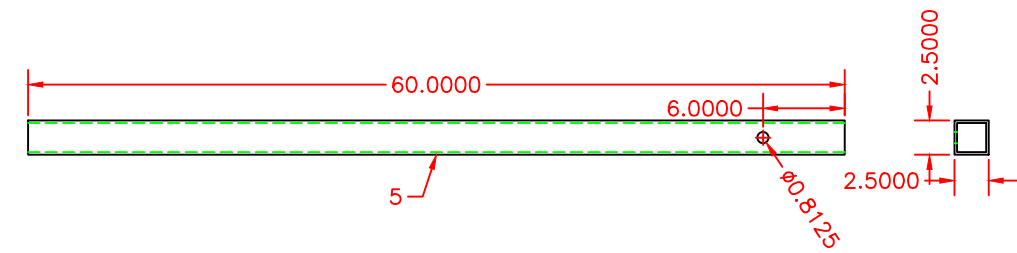


REMOVABLE LEG DETAIL



INTERNAL LEG TUBES  
(DRILLING DETAILS)



ITEM#	PART#	MATERIAL	QTY	LENGTH	DETAILS
1	PU238	2" well pipe	2 pcs	288	TOP HORIZONTAL
2	PU238	2" well pipe	2 pcs	90	LEG TUBE - BEND PER PRINT
3	RT114083	1-1/4 x 14ga rd tube	4 pcs	288	INTERNAL HORIZONTAL
4	HT2188	2" x 3/16 sq tube	2 pcs	12	LEG VERTICAL
5	HT212188	2-1/2" 3/16 sq tube seconds	4 pcs	60	PANEL VERTICAL - DRILL 2PCS PER PRINT
6	MP66167	3/4 hro	3 pcs	55.125	PANEL INTERNAL VERTICAL
7	MP66103	1/4" chain	4 pcs	40	CORNER CHAIN
8	MP012	1/4" key hole gusset	4 pcs		CORNER GUSSET
9	MP66323	1.625x1.625" sq cap	2 pcs		CAP FOR LEG TUBE
10	RS126	nuts and bolts	1 lbs		2PCS 3/4 X 1.5 WITH 3/4" NUTS
11	MP66372	TUBE CAP	2 pcs		laser cut tube cap

